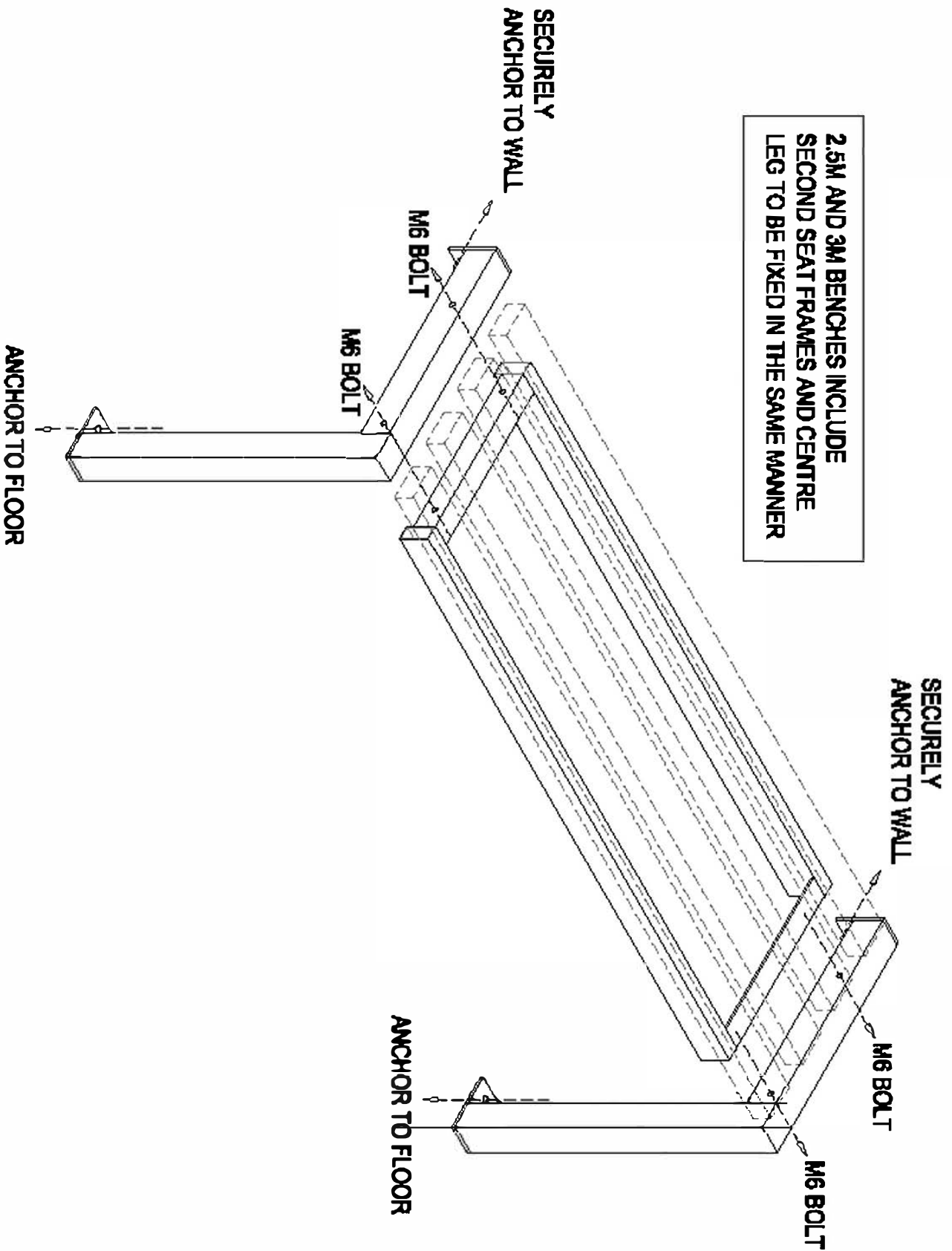


ASSEMBLY INSTRUCTIONS FOR AQUA 'ASTM' MONO WALL/FLOOR FIX BENCH

2.5M AND 3M BENCHES INCLUDE
SECOND SEAT FRAMES AND CENTRE
LEG TO BE FIXED IN THE SAME MANNER



© COPYRIGHT EGE Direct Ltd
No unauthorised disclosure, reproduction or manufacture of
details of product permitted without prior written consent.

Benchura



Manurewa Works, 150 Northumbria Road, Manurewa,
NZ 22 4SE Tel: (01 605) 828859 Fax: (01 605) 850115