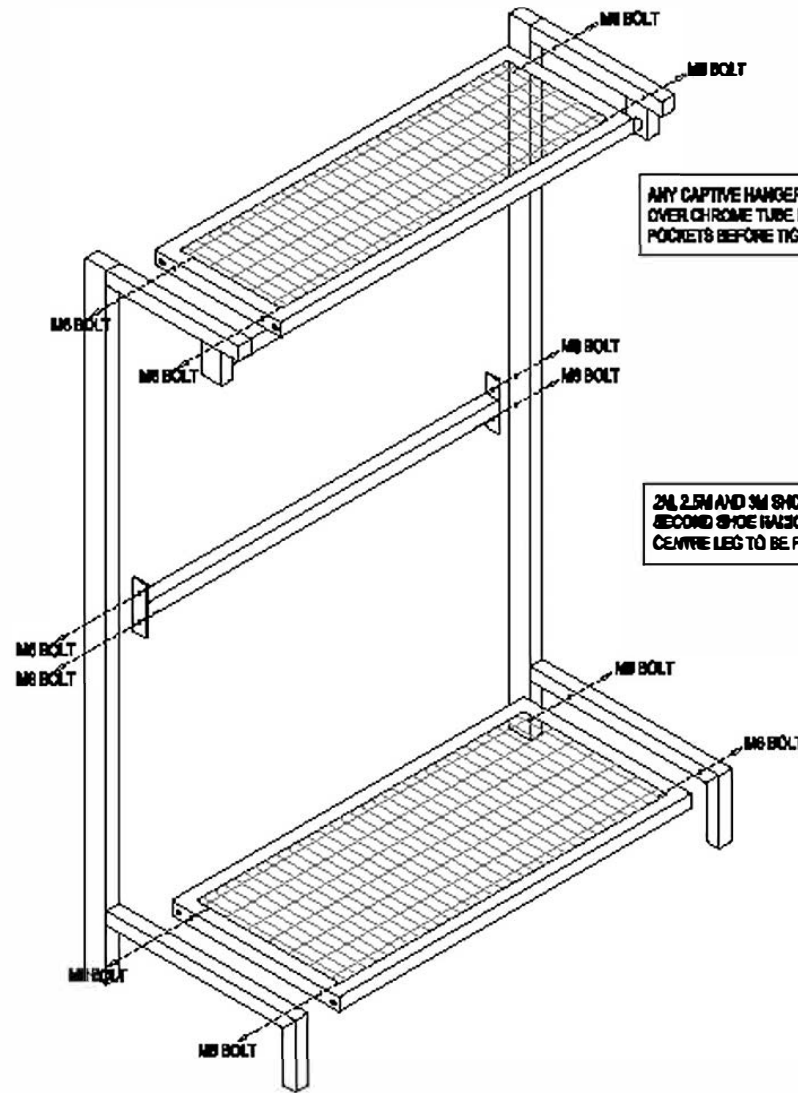


# ASSEMBLY INSTRUCTIONS FOR EVOLVE 'FGR' GARMENT HANGING RACK



ANY CAPTIVE HANGERS (SOLD SEPARATELY) MUST BE FITTED OVER CHROME TUBE HANGING RAIL AND RAIL INSERTED IN POCKETS BEFORE TIGHTENING BOLTS IN FRAMES

2M, 2.5M AND 3M SIDE RACKS INCLUDE A SECOND SHOE RACK / SHELF FRAME AND CENTRE LEG TO BE FITTED IN THE SAME MANNER